

# CART 1 SM UNIT

## CONTENTS:

4 TENT FEET  
12 FEET  
12 LEGS  
6 RAILINGS  
1 STAIR UNIT

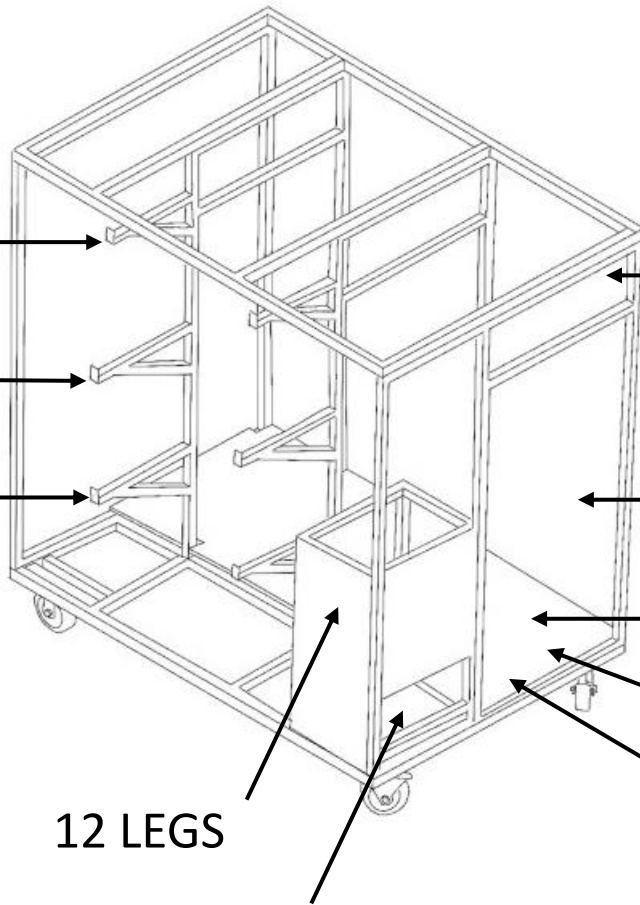
2 STAIR RAILINGS  
7 TENT BRACING  
17 SIDE PANELS  
1 WINDOW PVC

\*FLIP EVERY OTHER PIECE  
(ONE UP, ONE DOWN, REPEAT)

5 SIDE PANELS

6 SIDE PANELS

6 SIDE PANELS



2 STAIR RAILINGS  
+  
1 WINDOW PVC

6 RAILINGS \*ON SIDES

1 STAIR UNIT

4 TENT FEET

7 TNET BRACING

12 LEGS

12 FEET



# CART 2 UD UNIT

## CONTENTS:

12 SIDE PANELS

6 RAILINGS

1 STAIR UNIT

2 STAR RAILINGS

FACING BOARDS ABOVE DOOR

\*FLIP EVERY OTHER PIECE  
(ONE UP, ONE DOWN, REPEAT)

4 SIDE RAILS

+

4 RAILINGS

4 SIDE RAILS

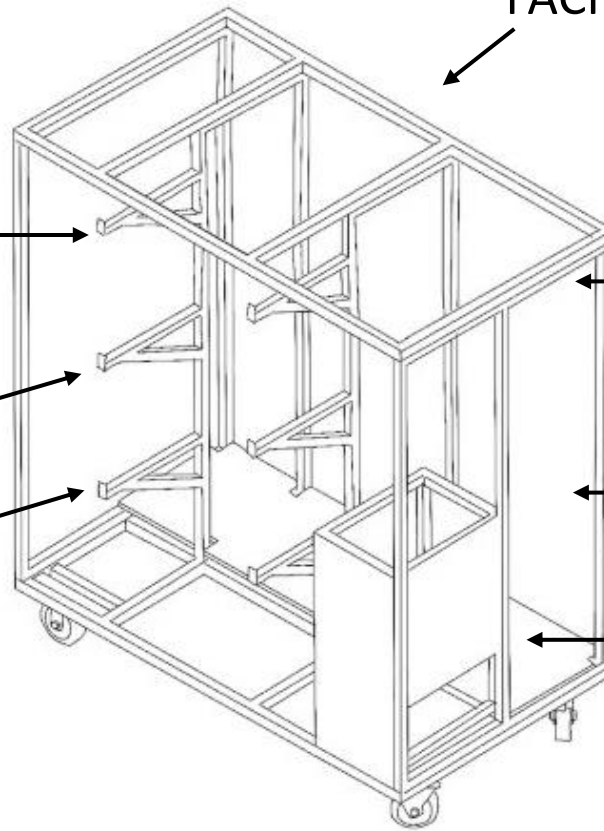
4 SIDE RAILS

FACING BOARDS

2 STAIR RAILINGS

2 RAILINGS

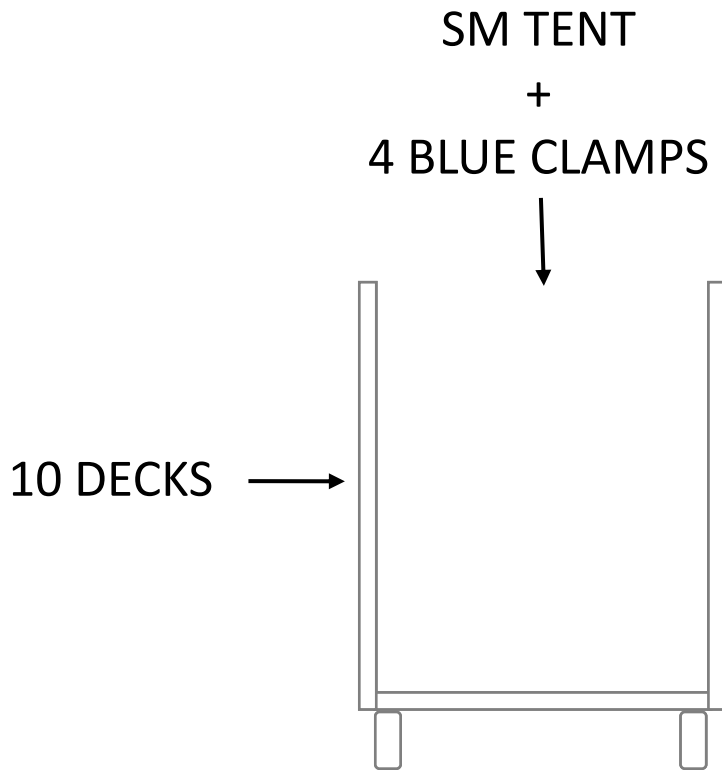
1 STAIR UNIT



# CART 3

## DECKS + SM

CONTENTS:  
10 DECKS  
SM TENT  
4 BLUE CLAMPS



\*TOPS FACING TOPS; BOTTOMS FACING BOTTOMS  
FOR DECKS

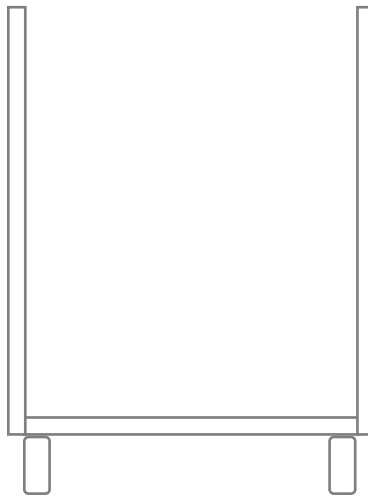


# CART 4 DECKS

CONTENTS:  
10 DECKS

\*TOPS FACING TOPS; BOTTOMS FACING BOTTOMS

10DECKS

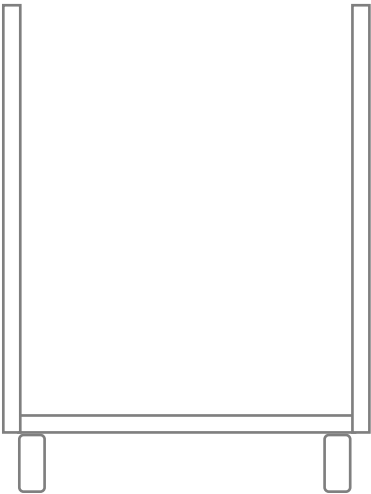


# CART 5 DECKS

CONTENTS:  
10 DECKS

\*TOPS FACING TOPS; BOTTOMS FACING BOTTOMS

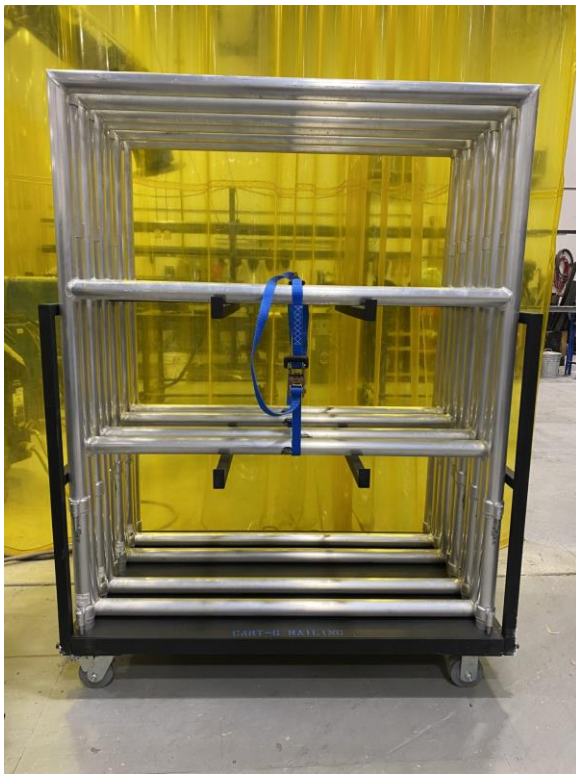
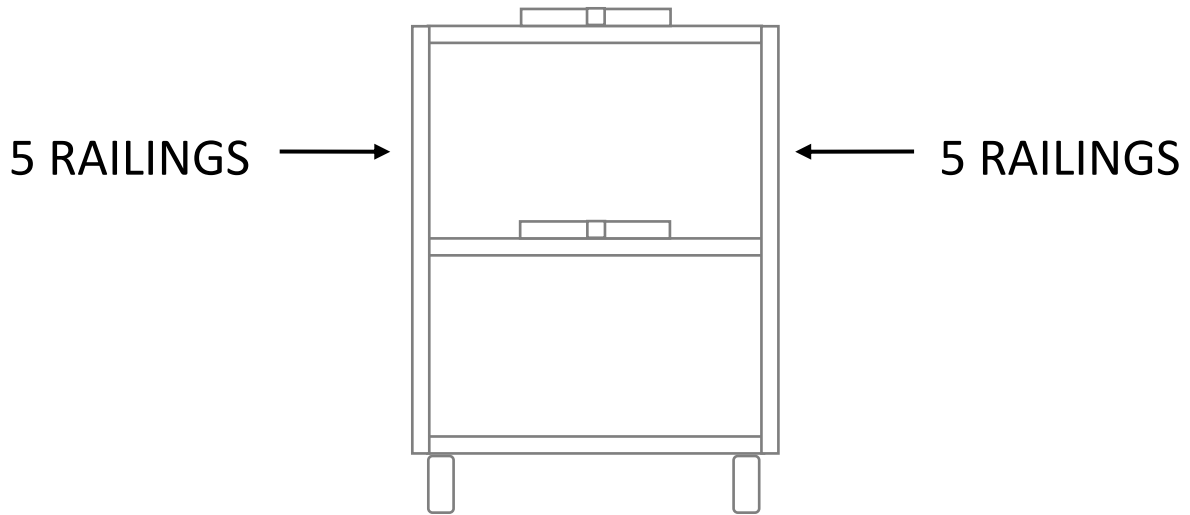
10DECKS



# CART 6 RAILING

CONTENTS:  
10 RAILING

\*FLIP EVERY OTHER RAILING PIECE  
(ONE UP, ONE DOWN, REPEAT)

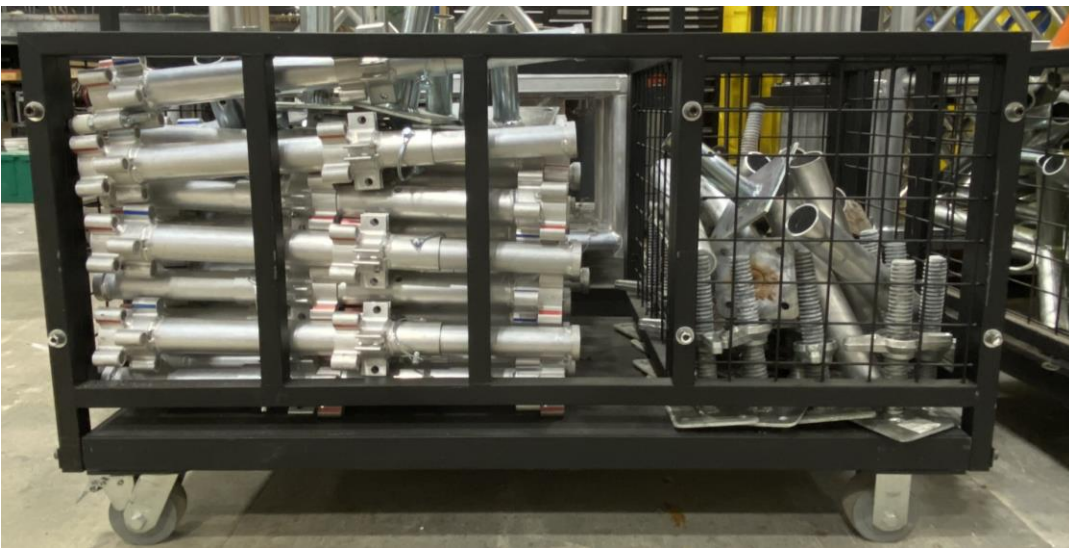
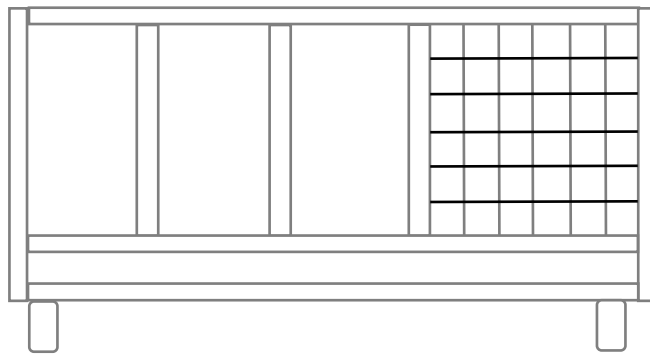


# CART 7 LEGS + FEET

CONTENTS:  
UD LEGS  
FEET  
10 UD TENT FEET

UD LEGS  
+  
10 UD TENT FEET

FEET

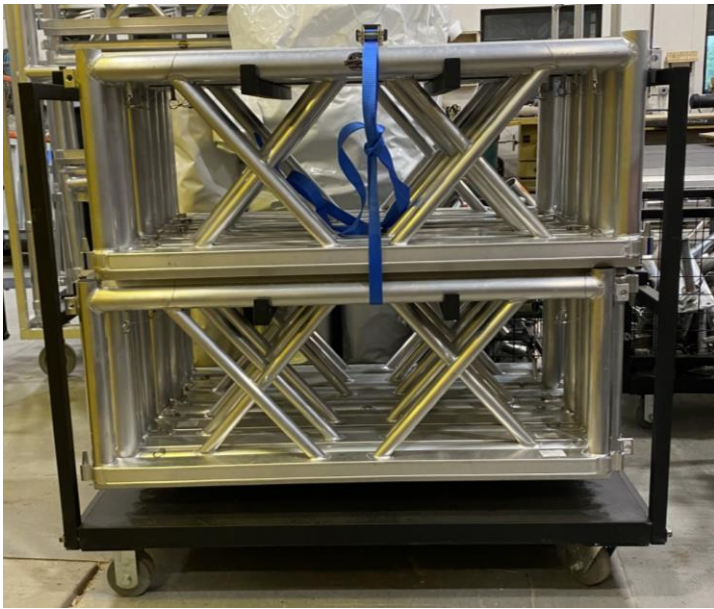
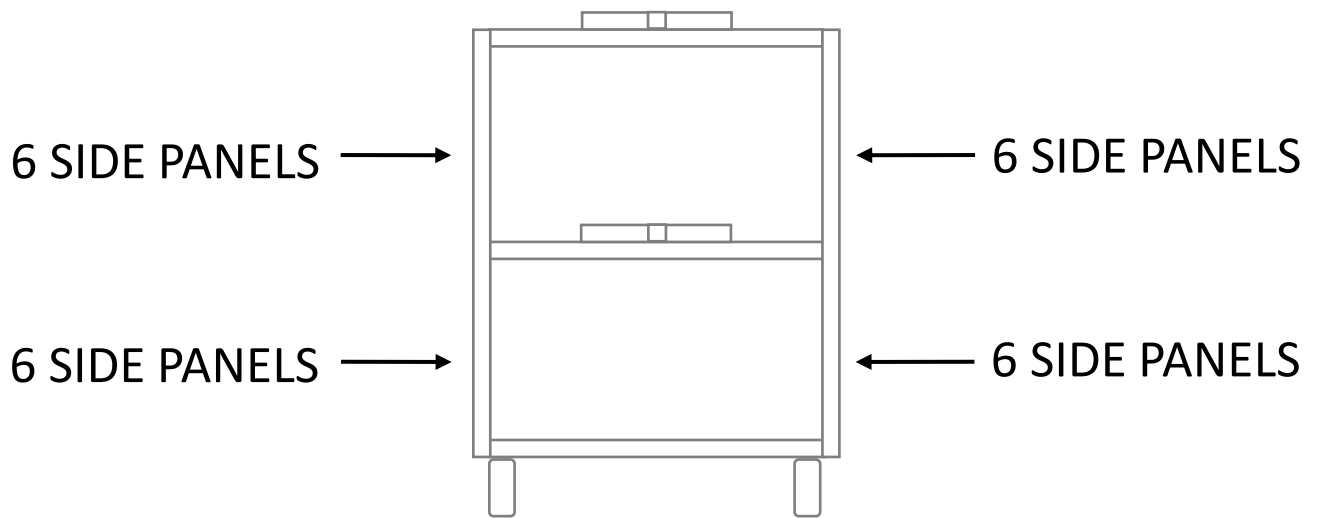


# CART 8

## SIDE PANELS

CONTENTS:  
24 SIDE PANELS

\*FLIP EVERY OTHER PANEL  
(ONE UP, ONE DOWN, REPEAT)



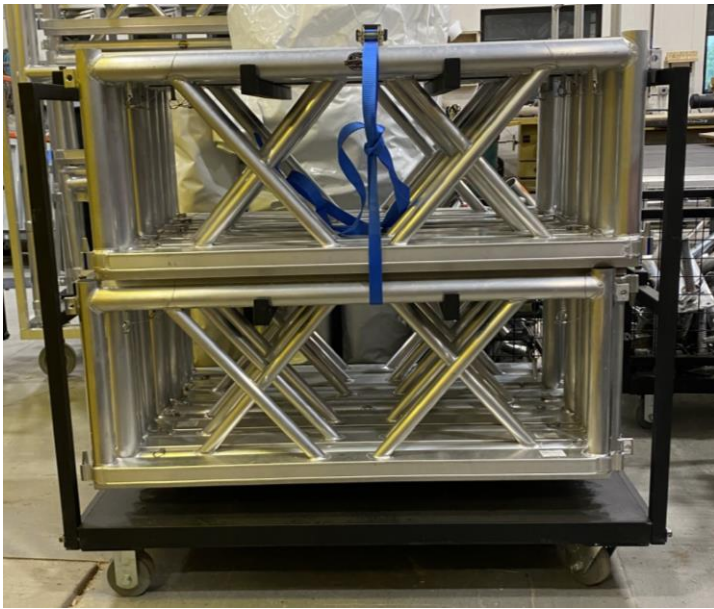
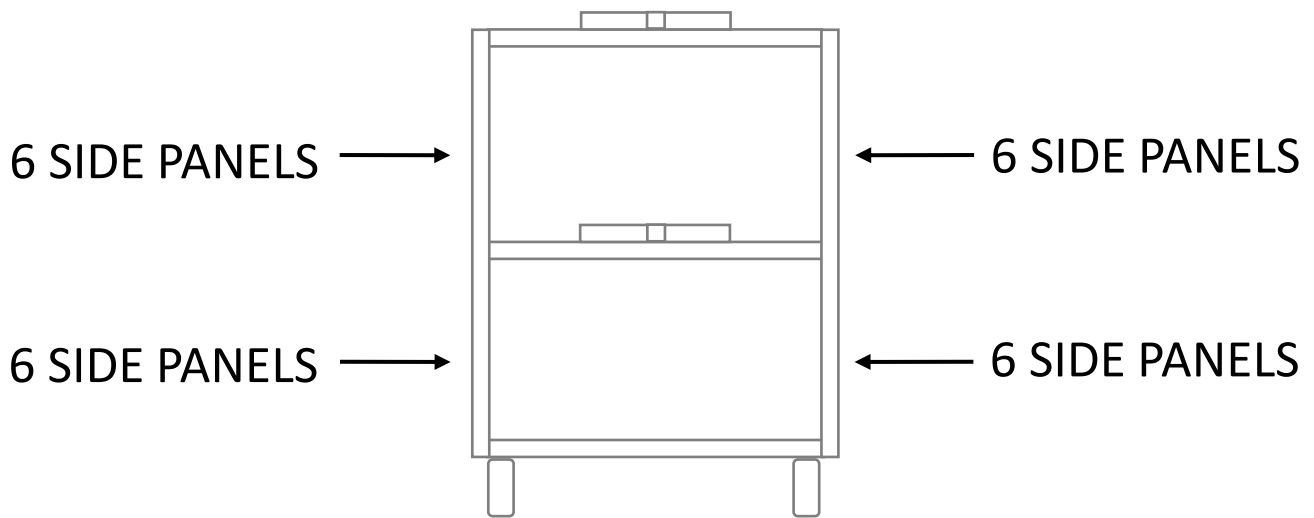


# CART 9

# SIDE PANELS

CONTENTS:  
24 SIDE PANELS

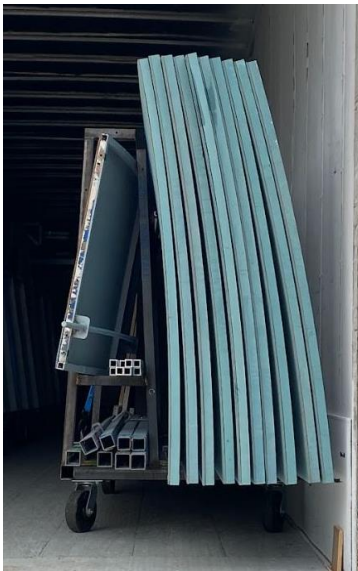
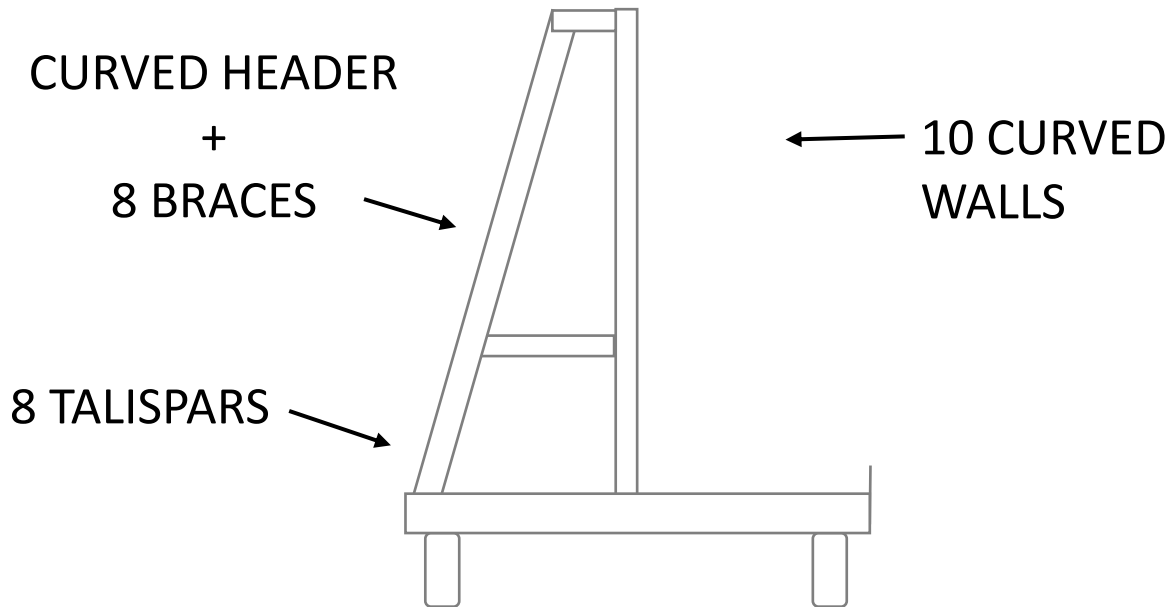
\*FLIP EVERY OTHER PANEL  
(ONE UP, ONE DOWN, REPEAT)



# CART 10 BACK WALL

## CONTENTS:

- 10 CURVED WALLS
- 1 CURVED HEADER
- 8 TALISPARS
- 8 BRACES



# CART 11

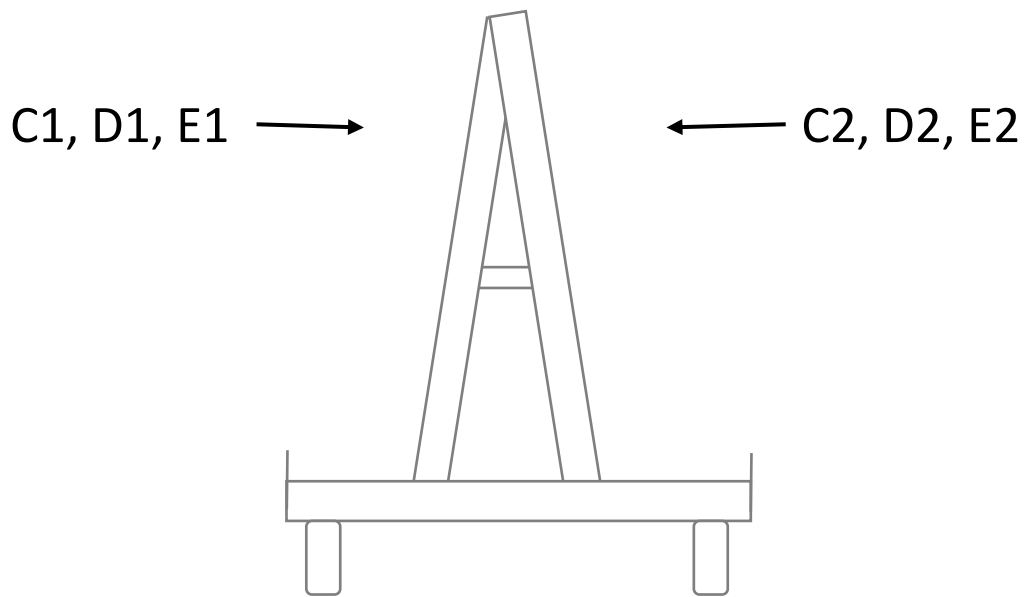
## CIRCLE DECK 1

CONTENTS:

SIDE 1: C1, D1, E1

SIDE 2: C2, D2, E2

\*ORDERED FROM FIRST ON CART GOING OUT



# CART 12

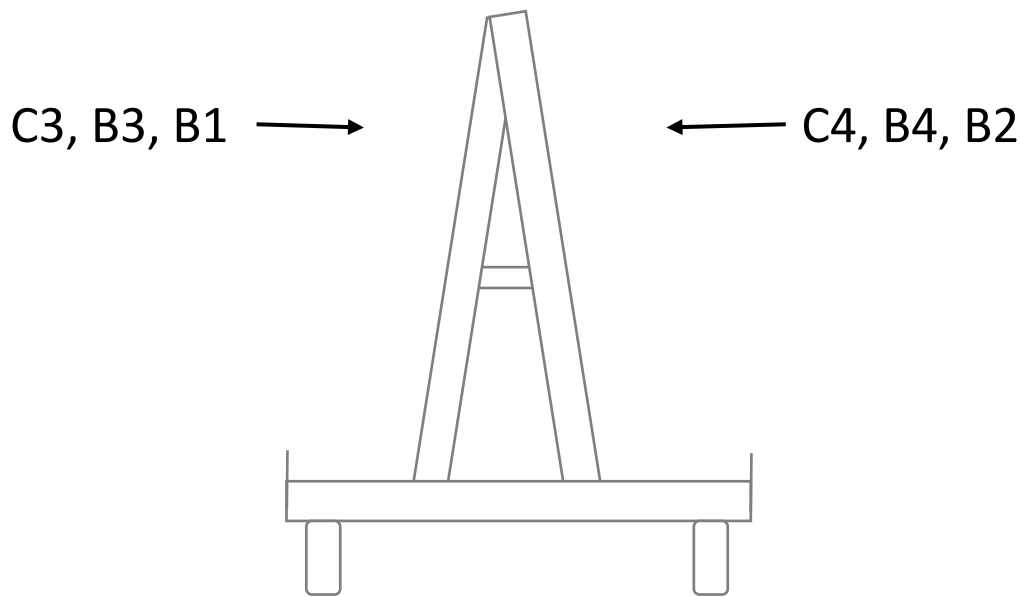
## CIRCLE DECK 2

CONTENTS:

SIDE 1: C3, B3, B1

SIDE 2: C4, B4, B2

\*ORDERED FROM FIRST ON CART GOING OUT

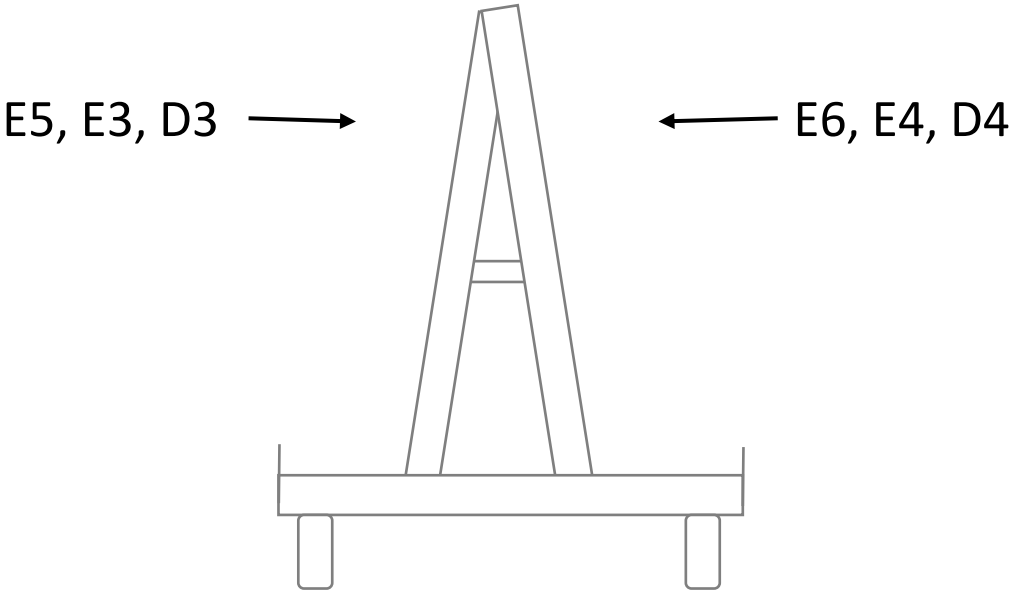


# CART 13

## CIRCLE DECK 3

CONTENTS:  
SIDE 1: E5, E3, D3  
SIDE 2: E6, E4, D4

\*ORDERED FROM FIRST ON CART GOING OUT

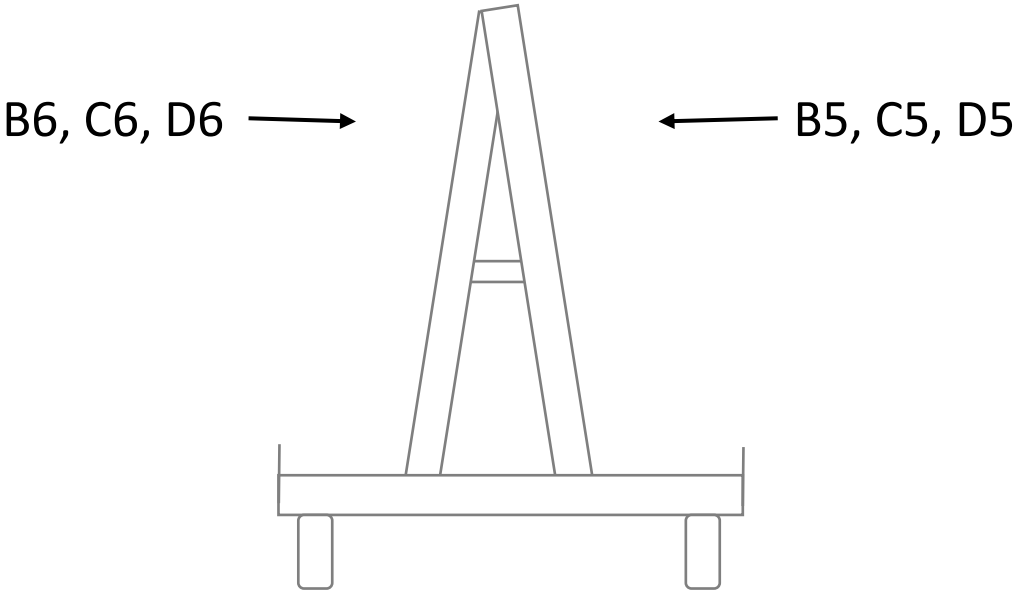


# CART 14

## CIRCLE DECK 4

CONTENTS:  
SIDE 1: B6, C6, D6  
SIDE 2: B5, C5, D5

\*ORDERED FROM FIRST ON CART GOING OUT

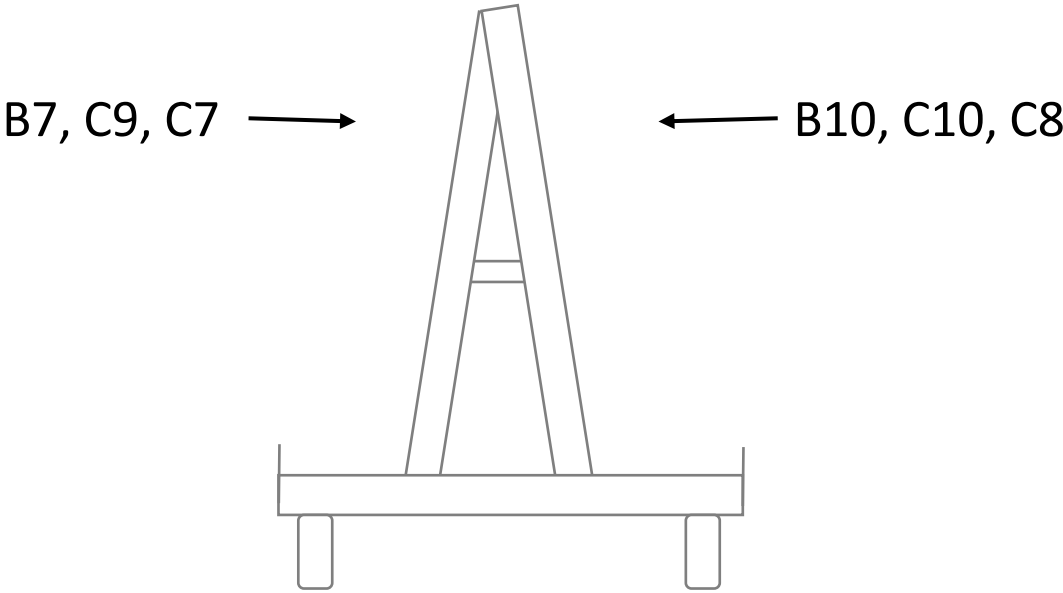


# CART 15

## CIRCLE DECK 5

CONTENTS:  
SIDE 1: B7, C9, C7  
SIDE 2: B10, C10, C8

\*ORDERED FROM FIRST ON CART GOING OUT

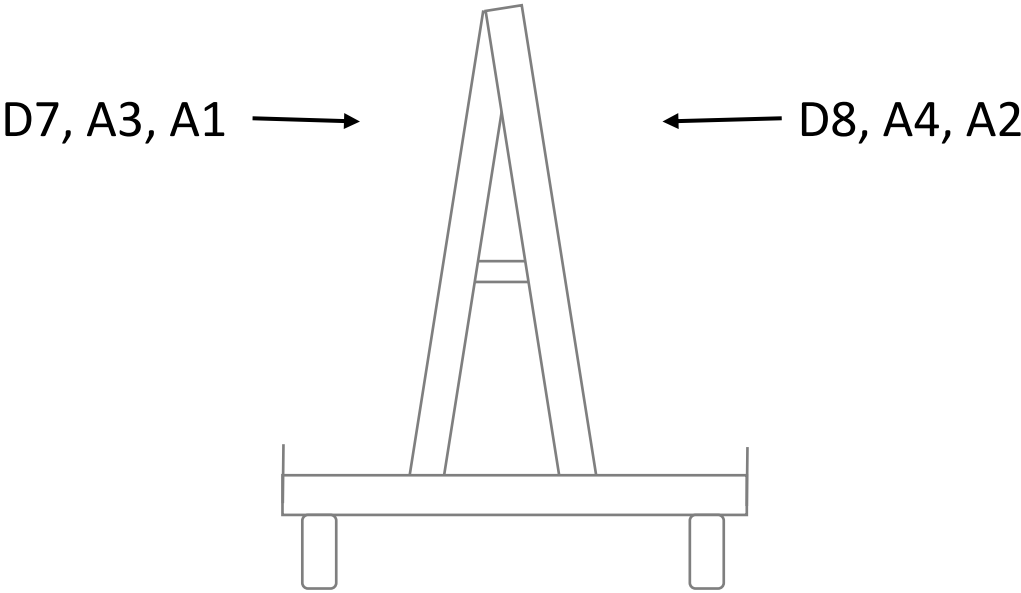


# CART 16

## CIRCLE DECK 6

CONTENTS:  
SIDE 1: D7, A3, A1  
SIDE 2: D8, A4, A2

\*ORDERED FROM FIRST ON CART GOING OUT

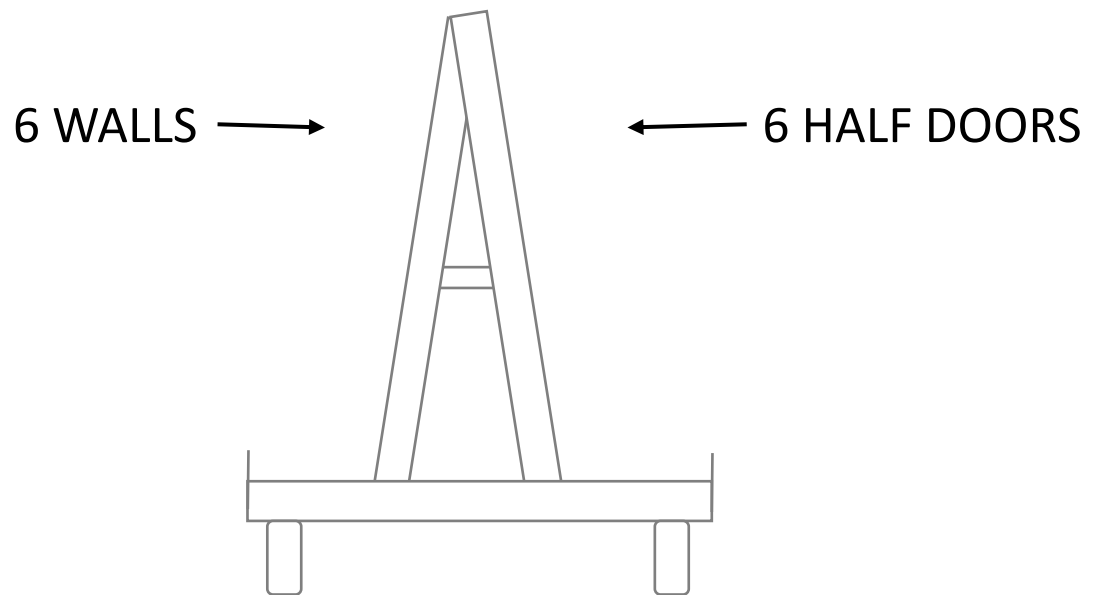




# CART 17

## SET WALL 1

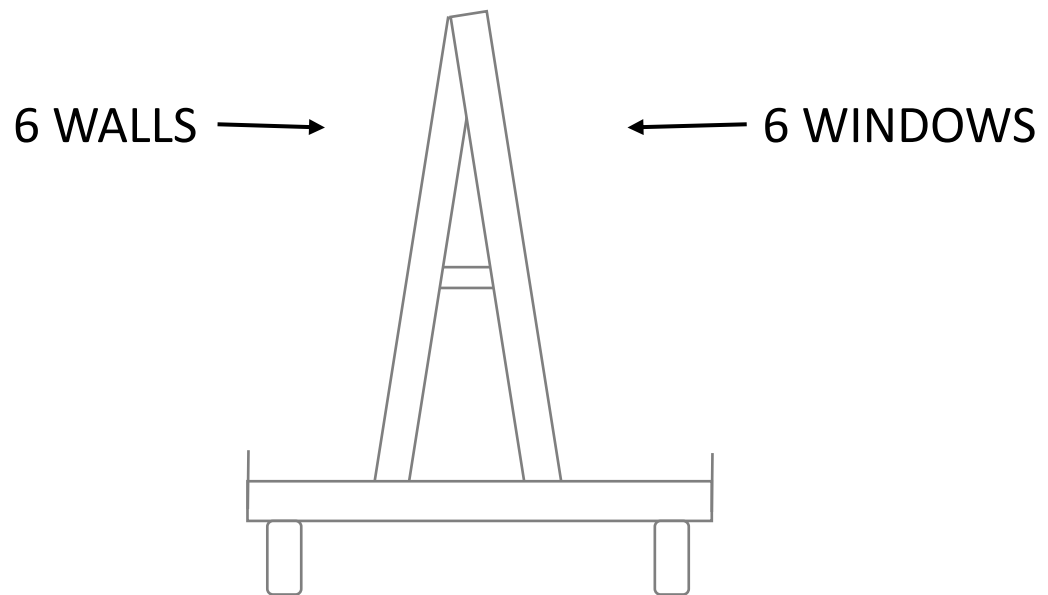
CONTENTS:  
6 WALLS AT 3'X12'  
6 HALF DOORS AT 5'X12'



# CART 18

## SET WALL 2

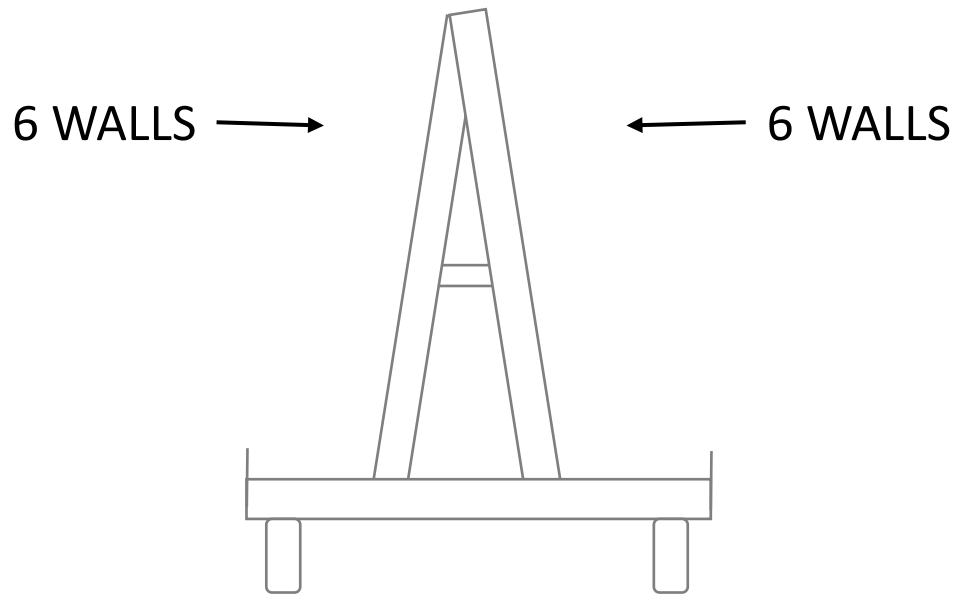
CONTENTS:  
6 WINDOWS  
6 DOORS



# CART 19

## SET WALL 3

CONTENTS:  
12 WALLS



# CART 20

## UD WALLS

### CONTENTS:

SIDE 1: 15P, 14O, 13N,  
12M, 17L, 11K,  
10J, 9I, 7H

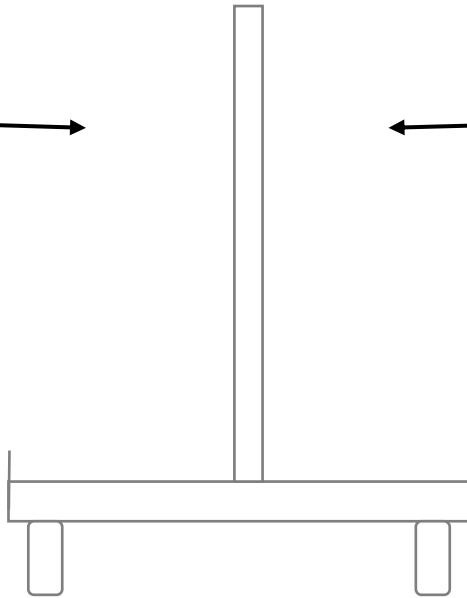
SIDE 2: 6G, 8F, 5E, 4D,  
3C, 2B, 1A

\*ORDERED FROM FIRST ON CART GOING OUT  
\*FRAME WITH LABEL FACING OUT

15P, 14O, 13N, 12M,  
17L, 11K, 10J, 9I, 7H



6G, 8F, 5E, 4D,  
3C, 2B, 1A



# CART 21

## SM WALLS

CONTENTS:

SIDE 1: 5 SM WALLS

SIDE 2: 4 SM WALLS + 1 DOOR

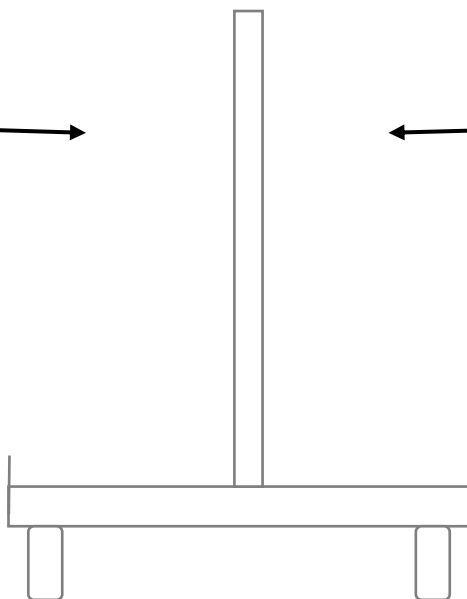
\*ORDERED FROM FIRST ON CART GOING OUT

\*FRAME WITH LABEL FACING OUT

SM7, SM8, SM9,  
SM10, SM6



SM 5, SM4, SM3,  
SM2, SM1



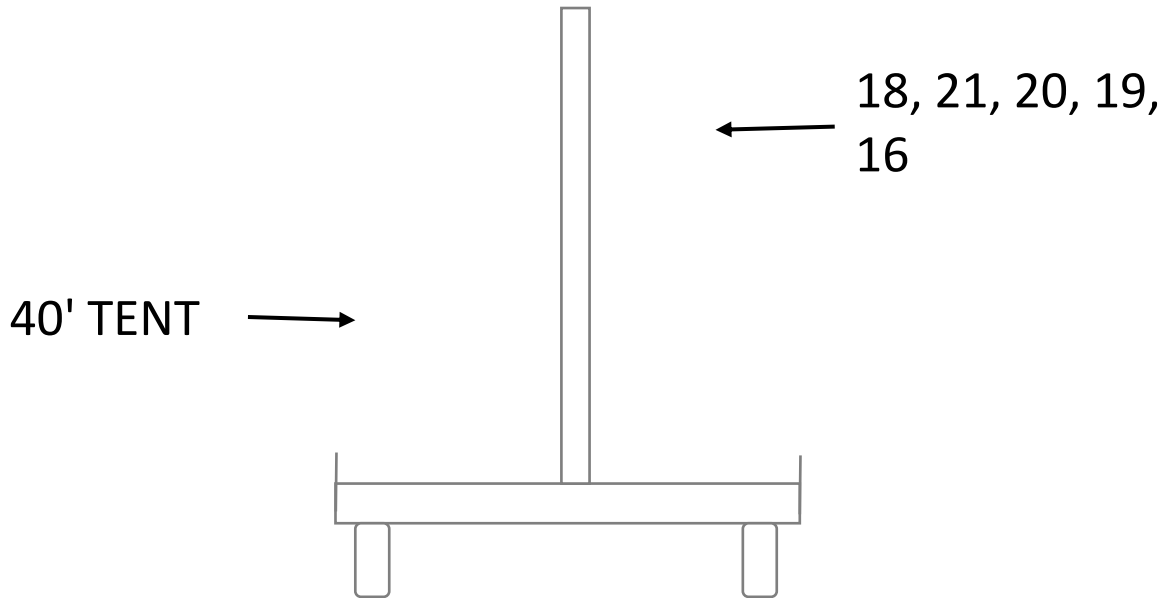
# CART 22

## REST OF UD

### WALLS

CONTENTS:  
UD WALLS 16, 18 – 22  
40' TENT

\*NO PARTICULAR ORDER



# CART 23 PIPES

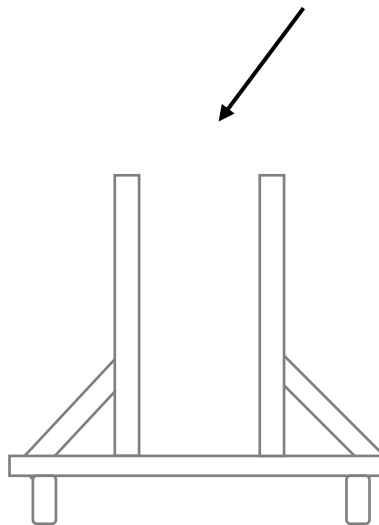
## CONTENTS:

9 SM PIPES  
25 UD PIPES  
13 LEGS  
2 BAGS PINS

A-DECK TO UD TRANSITION  
OVER UD DOOR BAR  
1 ALUMINUM BAR

## ALL CONTENTS

\*OVER DOOR BAR AND A-DECK  
TRANSITION ON TOP



# CART 24 TENT

CONTENTS:

16 UD TENT BRACING

6 SM TENT BRACING

20' UD TENT

16 UD TENT BRACING

+

6 SM TENT BRACING

20' UD TENT

